

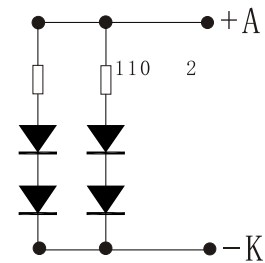
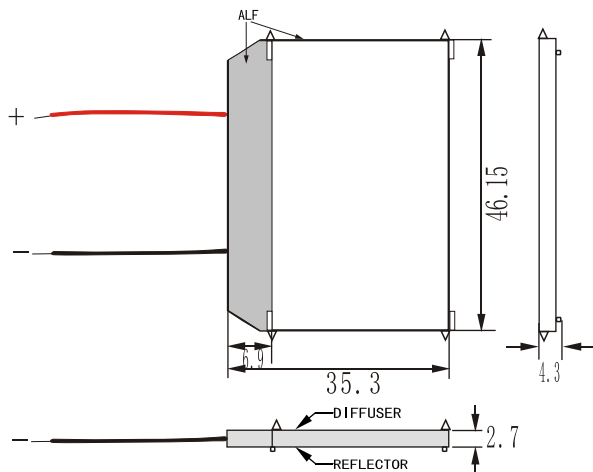
Part Number	Emitting Material	Wave Length $\lambda_D$ (nm)	Emitting Color	(If=20mA)		
				$V_F$ (v)		$I_V$ (mcd)
				Typ.	Max.	Typ.
CLB-4635-△R	GaAlAs	640	Red	6.0	7.0	180
CLB-4635-△O	GaAsP/GaP	610	Orange	6.0	7.0	180
CLB-4635-△G	AlGaInP	575	Green	6.0	7.0	160
CLB-4635-△Y	GaAsP/GaP	585	Yellow	6.0	7.0	180
CLB-4635-△B	GaInN	465	Blue	8.0	9.0	320
CLB-4635-△W	GaInN	—	White	8.0	9.0	350

ABSOLUTE MAXIMUM RATINGS (Ta=+25°C)

PARAMETER	SYMBOL	RATING	UNIT
Forward Current	$I_F$	30	mA
Forward Pulse Current	$I_{F(Peak)}$	100	mA
Reverse Voltage	$V_R$	10	V
Operating Temperature	$T_{opr}$	-20~+85	°C
Storage Temperature	$T_{Stg}$	-40~+85	°C
Soldering Hear (5s)	$T_{Sol}$	260	°C
Power Dissipation	$P_d$	400	mW

Package Outlines

(unit:mm)



INTERNAL CIRCUIT DIAGRAM

- Remark : 1. “△” represents Internal Circuit Feature: A、C、E...Common Cathode, B、D、F...Common Anode.  
 2. “□” represents LED Emitted Color.  
 3. All dimensions are in millimeters, tolerance is 0.25mm unless otherwise noted.  
 4. Above specification is measured by CHANGLI's test instrument and may be changed without notice.  
 5. Supplier will reserve authority on material change for above specification.